



Oil cleaning: A simple solution for an invisible problem

A Simple, environmentally friendly solution for increased uptime and process availability. Investing in oil cleaning gives your company a better economy.

EF2111

Offline oil cleaner

Removes all types of contamination:

- Soft and hard particles down to $\geq 0,1 \mu\text{m}$
- Bacteria
- Water (free and emulsified)
- Oxidation products (sludge and resin).

Benefits:

- Cost effective maintenance
- No oil changes = Environmentally friendly
- Change filters instead of changing oil
- Increased machine lifetime
- Less downtime
- No oxidation in oil

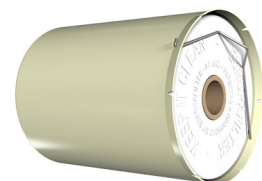


Filter insert EF500HY

Dirt capacity: ISO 12103-1 FTD: 1755 g $\geq 0,1 \mu\text{m}$

Water absorption, restricted and unrestricted: $\geq 3000\text{ml}$

Material insert: Cellulose, Polypropylene Homopolymer

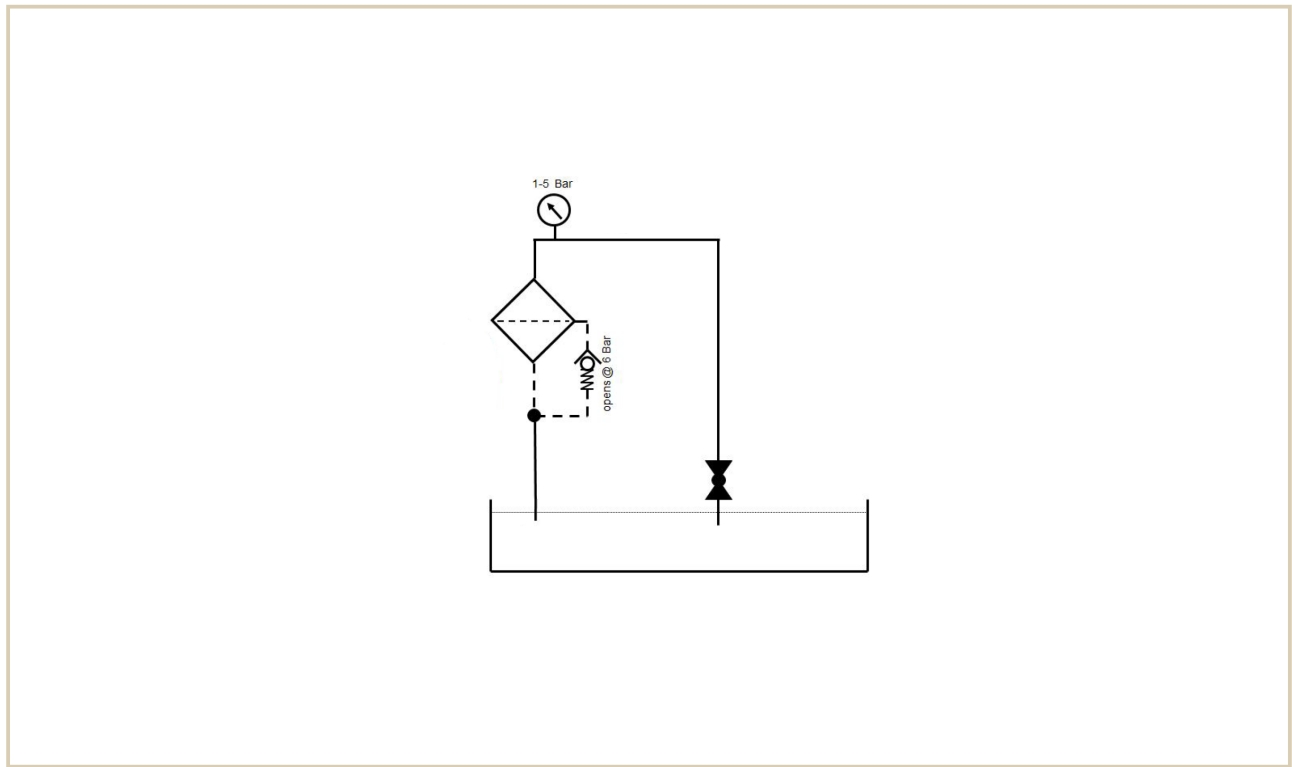


TECHNICAL SPECIFICATION

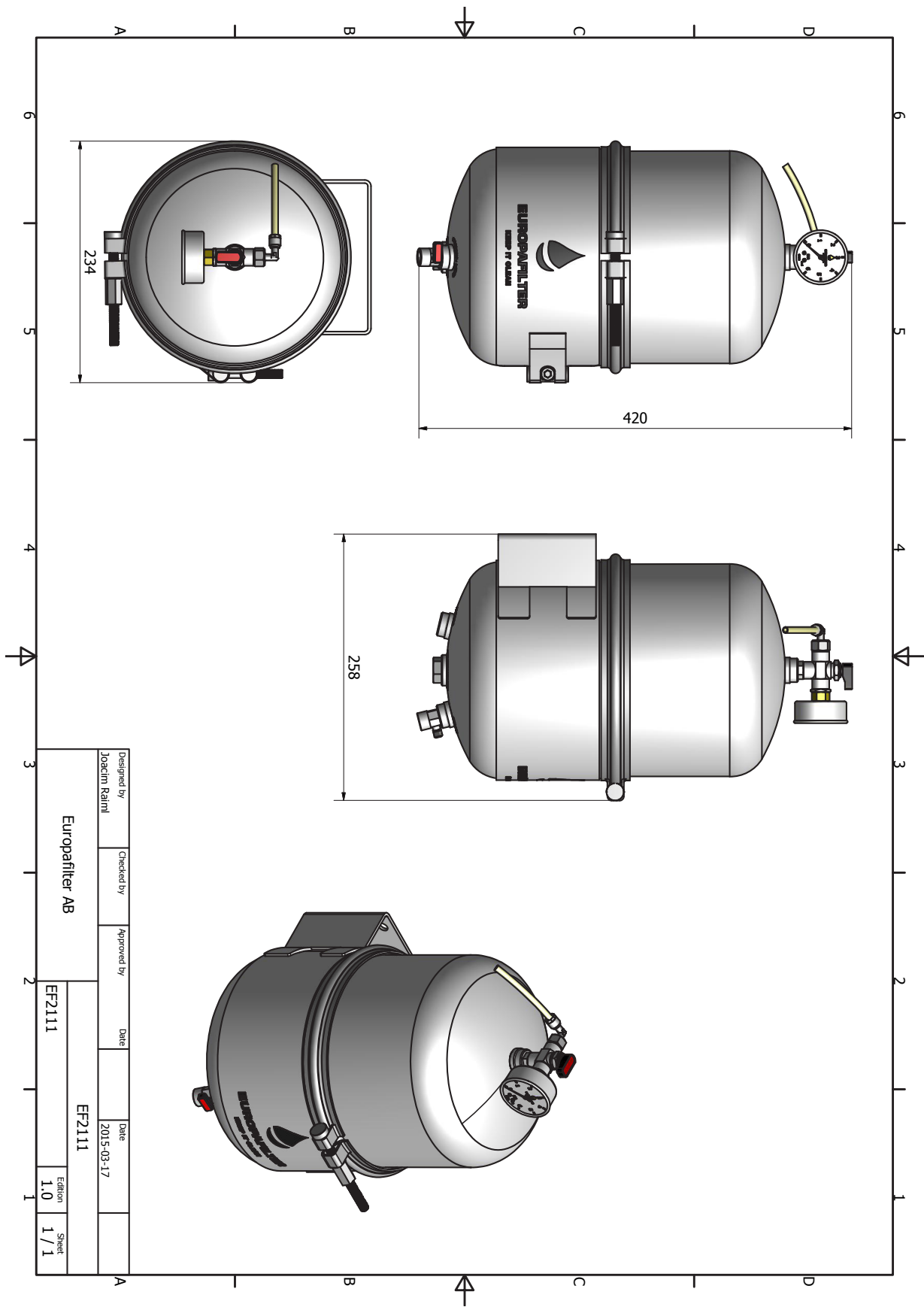
Europafilter	EF2111
Dry weight:	11 kg
Operating weight:	17 kg
Depth:	258 mm
Width:	234 mm
Height:	420 mm (Service height filter replacement + 250 mm)
Dirt capacity: (particles/water)	Particles ISO 12103-1 FTD: 1755 g \geq 0,1 micron Water absorption, restricted and unrestricted: \geq 3000 ml (Depending on oiltype)
Oil temp:	Max. 80 °C (On higher temperatures contact Europafilter)
Particle removal:	\geq 0,1 micron
Working pressure:	0.8–5 bar
Pressure:	Max. 6 bar, safety valve opens at 6 bar
Power consumption:	N/A
Power supply:	N/A
Hose connection IN:	\varnothing 1/4" BSP
Hose connection OUT:	\varnothing 1/4" BSP
Installation (see drawing):	Connect as an offline unit. «IN» = hose to tank and «UT» = hose to tank
Flow, min.–max.:	6–240 l/h. Varies depending on oil viscosity and pressure
Approx flow at 3 bar:	32 cSt 46 cSt 68 cSt 100 cSt 150 cSt 220 cSt 320 cSt 460 cSt
	2 l/min 1,5 l/min 1 l/min 0,8 l/min 0,6 l/min 0,4l/min 0,2 l/min 0,1 l/min
Oil volume *, max. rec.:	6000 l 4500 l 3000 l 2600 l 2200 l 2000 l 900 l 450 l

* For other oilvolumes: Contact your Europafilter dealer.

TECHNICAL DRAWING Offline installation



TECHNICAL SPECIFICATION



Designed by		Checked by		Approved by		Date		Date		Edition		Sheet	
Joachim Kahril								2015-03-17		1.0		1 / 1	
Europafilter AB				EF2111				EF2111					